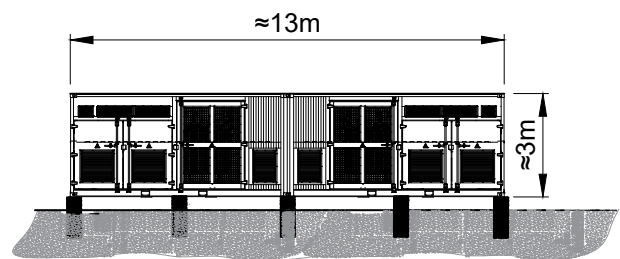


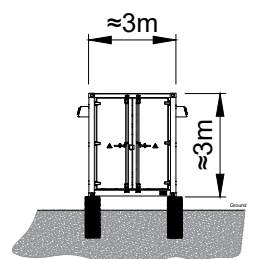
NOTE:

- DETAIL INFORMATION FOR SOLAR FARM LOCATION REFER TO "G-2.0_0001101"
- DETAIL INFORMATION FOR BATTERY CONTAINER ELEVATION REFER TO "G-3.0_0001101"
- DETAIL INFORMATION FOR CENTRAL INVERTER REFER TO "G-4.0_0001101"
- DETAIL INFORMATION FOR SECURITY FENCE AND LANDSCAPE REFER TO "G-5.0_0001101"

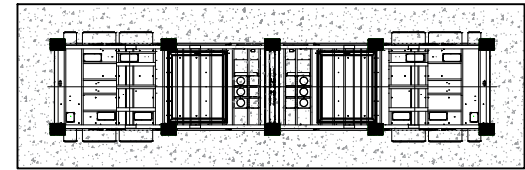
TYPICAL CENTRAL INVERTER LAYOUT



FRONT VIEW
SCALE 1:100



SIDE VIEW
SCALE 1:100



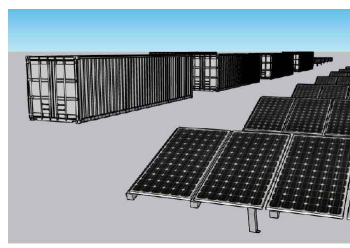
BOTTOM VIEW
SCALE 1:100

TYPICAL CENTRAL INVERTER



GREY COLOR
POWDER COATED STEEL

TYPICAL BATTERY CONTAINER LAYOUT

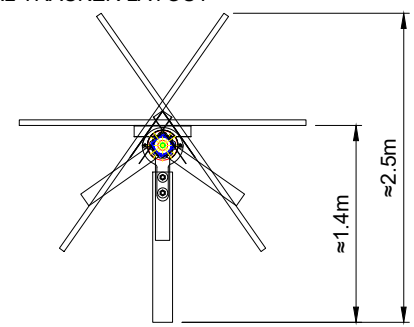


TYPICAL DC COUPLED ENERGY STORAGE CONTAINER



GREY COLOR
POWDER COATED STEEL

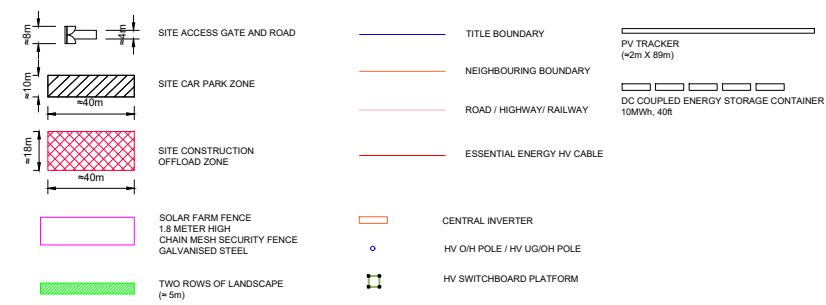
TYPICAL TRACKER LAYOUT



TYPICAL TRACKING SYSTEM

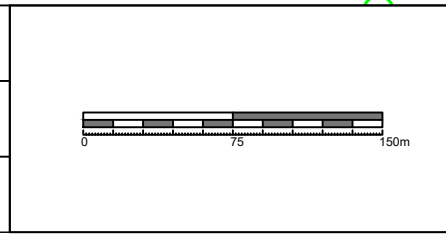


LEGEND



REVISIONS					
REV	STATUS	DESCRIPTION	DATE	D.B.	C.B.
A	FA	SITE PLAN	13/03/2021	XT	RZ
B	FA	SOLAR FARM AREA UPDATED	30/03/2021	WB	XT

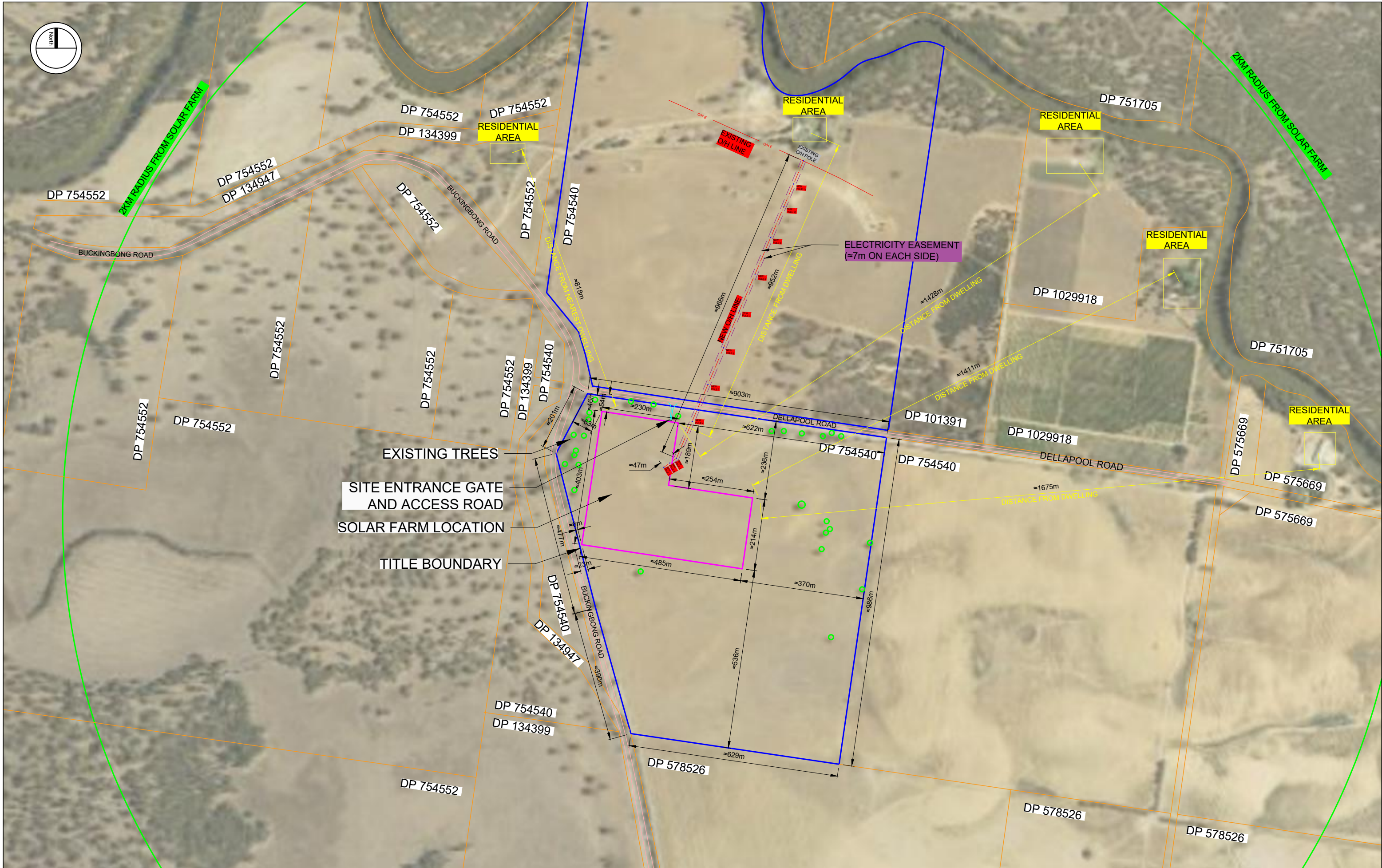
PROJECT DETAILS:	GILLENBAH SOLAR FARM 1083 BUCKINGBONG ROAD GILLENBAH -34.815001 146.666143
CLIENT DETAILS:	ACENERGY PTY LTD
DRAWING TITLE:	SITE PLAN



COPYRIGHT OF THIS DRAWING RESERVED BY ACENERGY PTY LTD. NO PART OF THIS DOCUMENT MAY BE REPRODUCED OR COPIED IN ANY FORM OR BY ANY MEANS WITHOUT CONSENT OF ACENERGY.

DRAWING NR: G-1.0_0001101		
DRAWN BY: WB	APPROVED BY: XT	PROJECT MGR: LZ
SCALE: AS INDICATED	ISSUE: FOR APPROVAL	ISSUE DATE: 30/03/2021
SHEET SIZE: A3	PROJECT NO: 1101	REV. NO: B



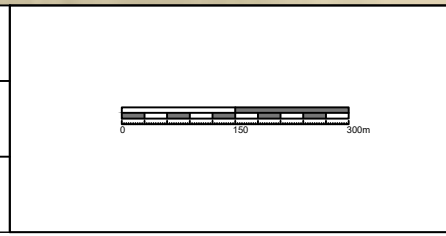


REVISIONS					
REV	STATUS	DESCRIPTION	DATE	D.B.	C.B.
A	FA	LOCATION DIAGRAM	13/03/21	XT	RZ
B	FA	SOLAR FARM AREA UPDATED	30/03/21	WB	XT

PROJECT DETAILS: **GILLENBAH SOLAR FARM**
 1083 BUCKINGBONG ROAD GILLENBAH
 -34.815001 146.666143

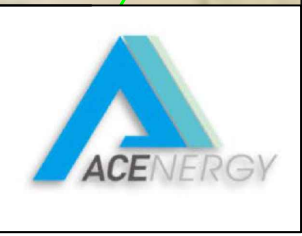
CLIENT DETAILS:
ACENERGY PTY LTD

DRAWING TITLE:
LOCATION DIAGRAM

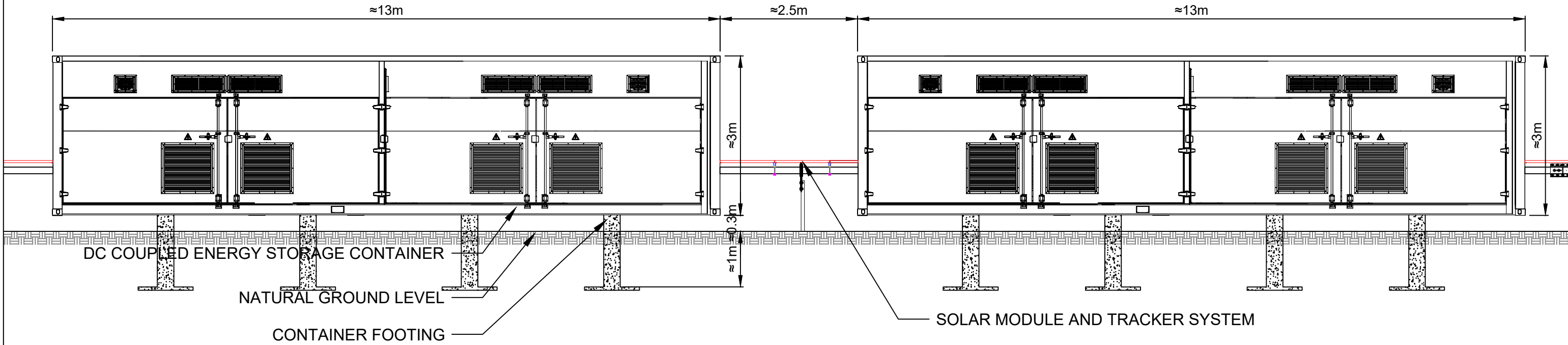


COPYRIGHT OF THIS DRAWING RESERVED BY ACENERGY PTY LTD. NO PART OF THIS DOCUMENT MAY BE REPRODUCED OR COPIED IN ANY FORM OR BY ANY MEANS WITHOUT CONSENT OF ACENERGY.

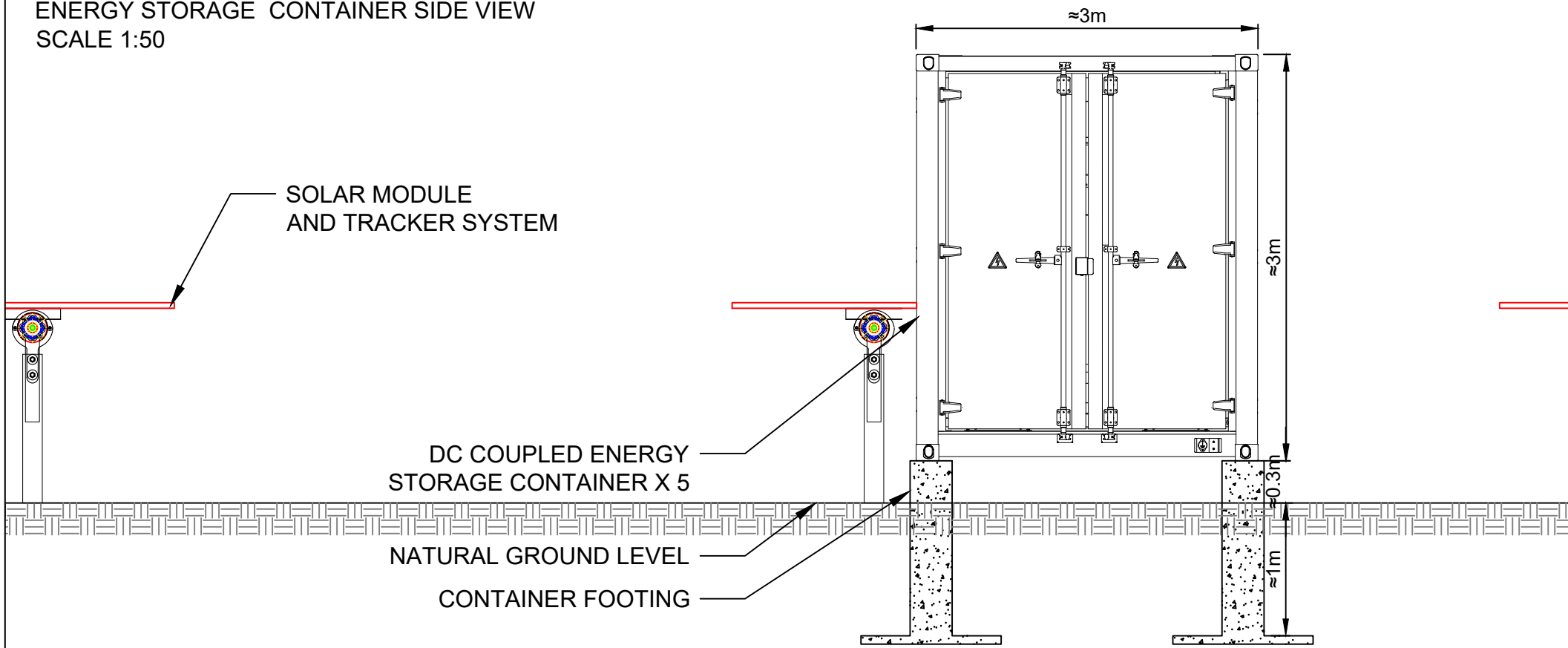
DRAWING NR: G-2.0_0001101		
DRAWN BY: WB	APPROVED BY: XT	PROJECT MGR: LZ
SCALE: AS INDICATED	ISSUE: FOR APPROVAL	ISSUE DATE: 30/03/2021
SHEET SIZE: A3	PROJECT NO: 1101	REV. NO: B



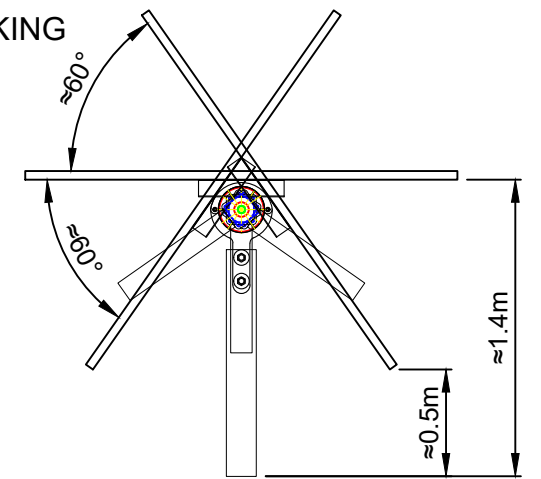
ENERGY STORAGE CONTAINER FRONT VIEW
SCALE 1:70



ENERGY STORAGE CONTAINER SIDE VIEW
SCALE 1:50



TYPICAL TRACKING SYSTEM



TYPICAL DC COUPLED ENERGY STORAGE CONTAINER



REVISIONS					
REV	STATUS	DESCRIPTION	DATE	D.B.	C.B.
A	FA	FOR INITIAL ISSUE	13/03/21	XT	RZ
B	FA	PRODUCT DIMENSIONS UPDATED	30/03/21	WB	XT

PROJECT DETAILS:	GILLENBAH SOLAR FARM 1083 BUCKINGBONG ROAD GILLENBAH 34.815001 148.668143
CLIENT DETAILS:	ACENERGY PTY LTD
DRAWING TITLE:	DC COUPLED ENERGY STORAGE CONTAINER ELEVATIONS

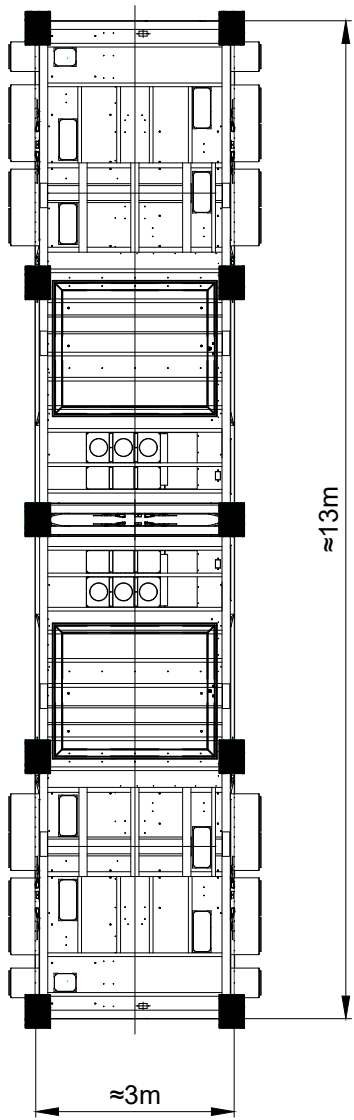
COPYRIGHT OF THIS DRAWING RESERVED BY ACENERGY PTY LTD. NO PART OF THIS DOCUMENT MAY BE REPRODUCED OR COPIED IN ANY FORM OR BY ANY MEANS WITHOUT CONSENT OF ACENERGY.

DRAWING NR:	G-3.0_0001101	
DRAWN BY:	WB	APPROVED BY: XT
SCALE:	AS INDICATED	PROJECT MGR: LZ
SHEET SIZE:	A3	ISSUE DATE: 30/03/2021
		FOR APPROVAL
		PROJECT NO: 1101
		REV. NO: B

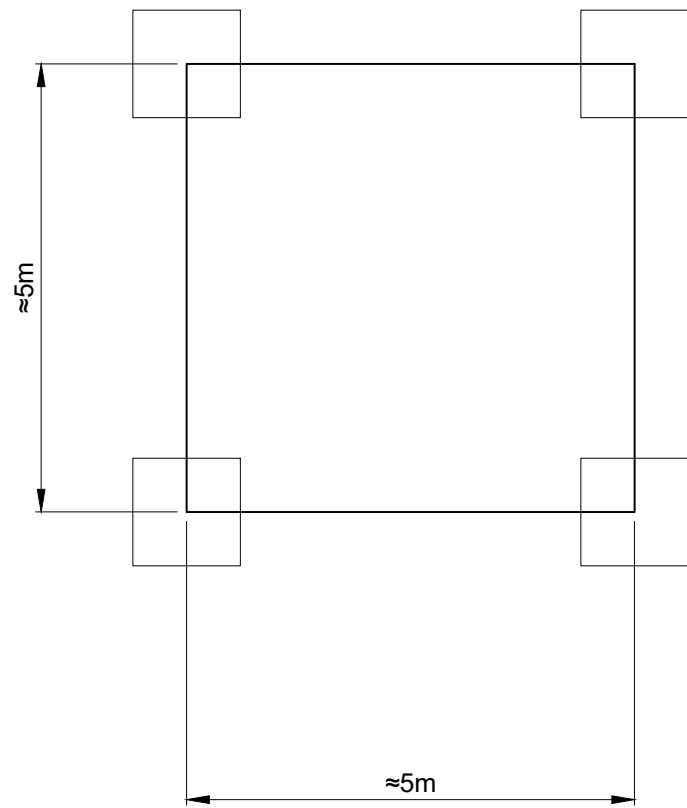


**CENTRAL INVERTER, HV SWITCHBOARD AND UG/OH POLE TOP VIEW
(RELATIVE LOCATION REFER TO "G-1.0_0001101_SITE PLAN")**

**CENTRAL
INVERTER**



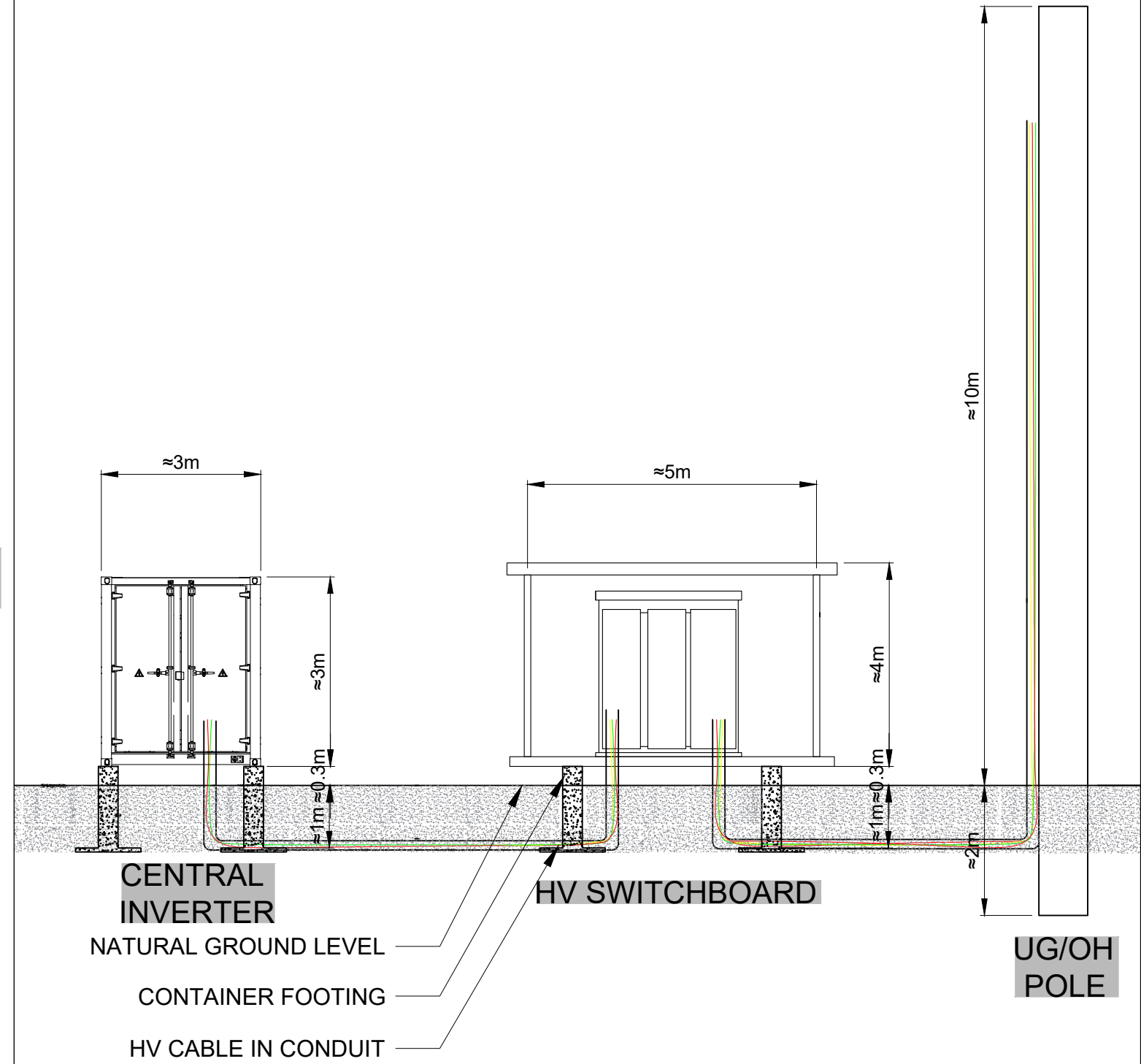
**HV SWITCHBOARD
PLATFORM**



**UG/OH
POLE**



**CENTRAL INVERTER, HV SWITCHBOARD AND UG/OH POLE SIDE VIEW
(RELATIVE LOCATION REFER TO "G-1.0_0001101_SITE PLAN")**



REVISIONS

REV	STATUS	DESCRIPTION	DATE	D.B.	C.B.
A	FA	FOR INITIAL ISSUE	13/03/21	XT	RZ
B	FA	PRODUCT DIMENSIONS UPDATED	30/03/21	WB	XT

PROJECT DETAILS:
GILLENBAH SOLAR FARM
 1083 BUCKINGBONG ROAD GILLENBAH
 34 815501 346 666143

CLIENT DETAILS:
ACENERGY PTY LTD

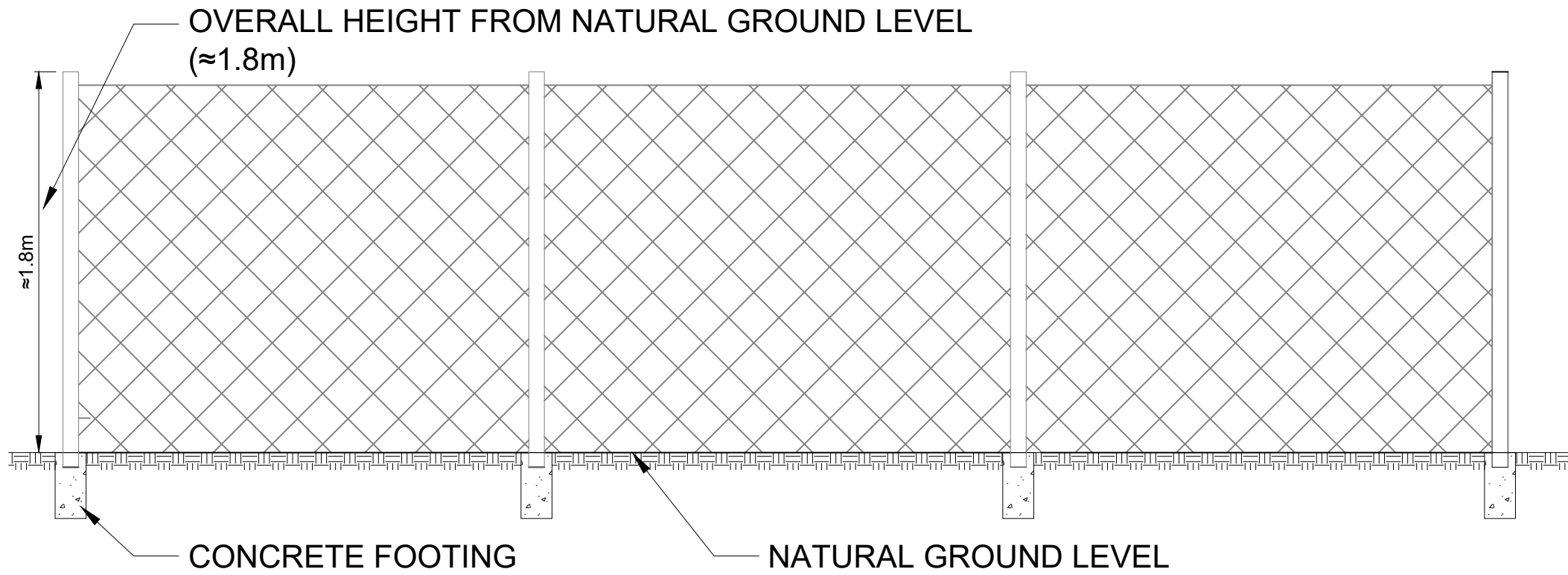
DRAWING TITLE:
 CENTRAL INVERTER, HV SWITCHBOARD, O/H POLE ELEVATION

COPYRIGHT OF THIS DRAWING RESERVED BY ACENERGY PTY LTD. NO PART OF THIS DOCUMENT MAY BE REPRODUCED OR COPIED IN ANY FORM OR BY ANY MEANS WITHOUT CONSENT OF ACENERGY.

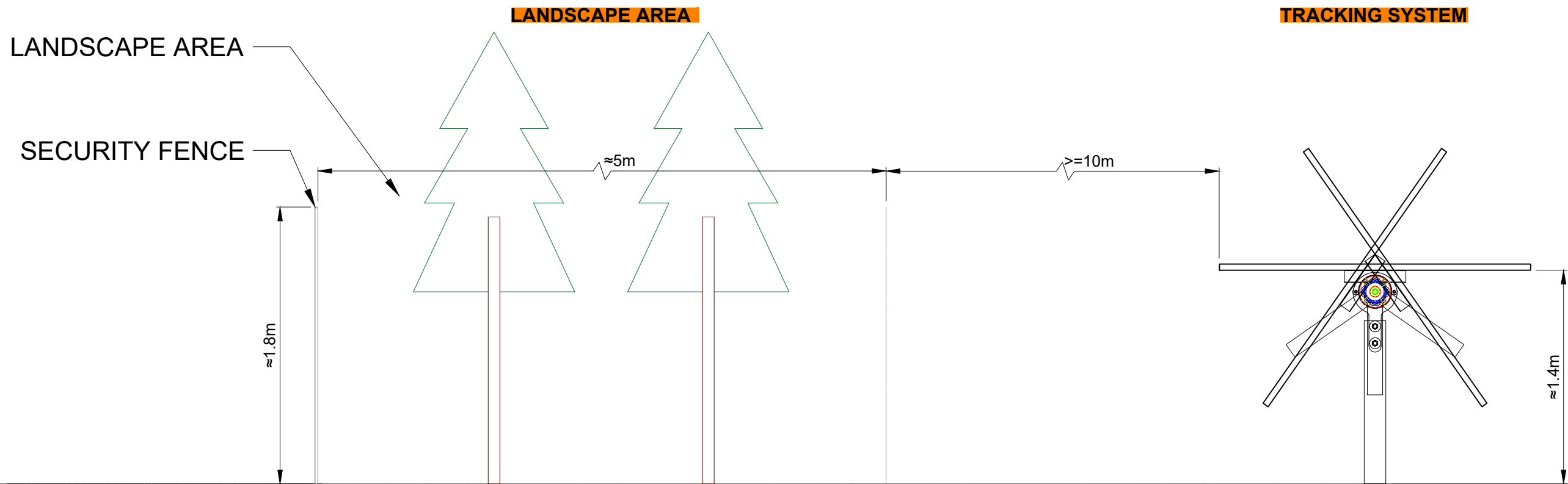
DRAWING NR: G-4.0_0001101		
DRAWN BY: WB	APPROVED BY: XT	PROJECT MGR: LZ
SCALE: AS INDICATED	ISSUE: FOR APPROVAL	ISSUE DATE: 30/03/2021
SHEET SIZE: A3	PROJECT NO: 1101	REV. NO: B



SECURITY FENCE FRONT VIEW
SCALE 1:2.5



SECURITY FENCE, LANDSCAPE AND TRACKING SYSTEM SECTION VIEW
SCALE 1:30



REVISIONS

REV	STATUS	DESCRIPTION	DATE	D.B.	C.B.
A	FA	FOR INITIAL ISSUE	13/03/21	XT	RZ
B	FA	PRODUCT DIMENSIONS UPDATED	30/03/21	WB	XT

PROJECT DETAILS:

GILLENBAH SOLAR FARM
 1083 BUCKINGBONG ROAD GILLENBAH
 34.8125002 146.666143

CLIENT DETAILS:

ACENERGY PTY LTD

DRAWING TITLE:

SECURITY FENCE DETAILS

COPYRIGHT OF THIS DRAWING RESERVED BY ACENERGY PTY LTD. NO PART OF THIS DOCUMENT MAY BE REPRODUCED OR COPIED IN ANY FORM OR BY ANY MEANS WITHOUT CONSENT OF ACENERGY.

DRAWING NR:

G-5.0_0001101

DRAWN BY :

WB

APPROVED BY :

XT

PROJECT MGR :

LZ

SCALE :

AS INDICATED

ISSUE :

FOR APPROVAL

ISSUE DATE :

30/03/2021

SHEET SIZE:

A3

PROJECT NO:

1101

REV. NO:

B

